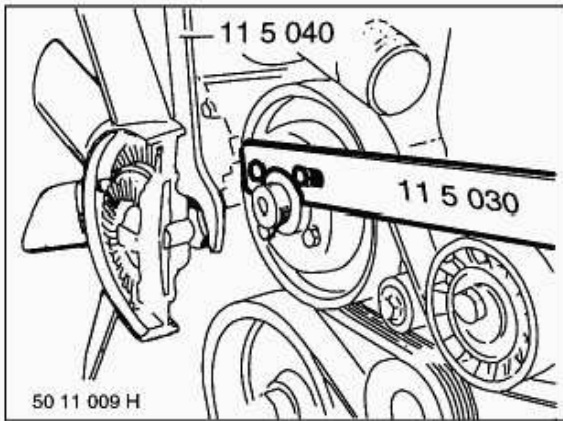
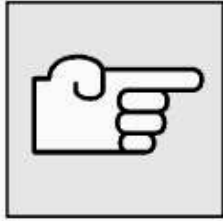


If necessary, remove air duct.

*Note:*

**S54**

Remove engine underguard and release fan cowl.



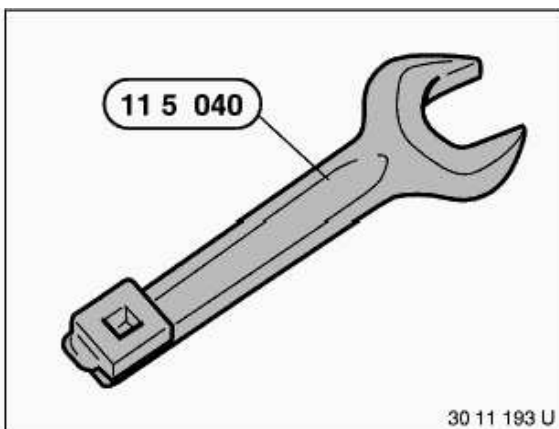
**Caution!**

Left-hand threads.

Using special tool 11 5 030, grip pulley and unfasten cap nut from water pump using special tool 11 5 040.

If necessary, unfasten fan cowl.

Take the fan wheel with fan coupling off the water pump and remove.



*Installation:*

Tighten down fan impeller using special tool 11 5 040.

Tightening torque 11 52 1AZ.

*Note:*

When using special tool 11 5 040, 30 Nm on the torque wrench scale are equivalent to a tightening torque of 40 Nm.

Unfasten screws and detach fan from fan coupling.

