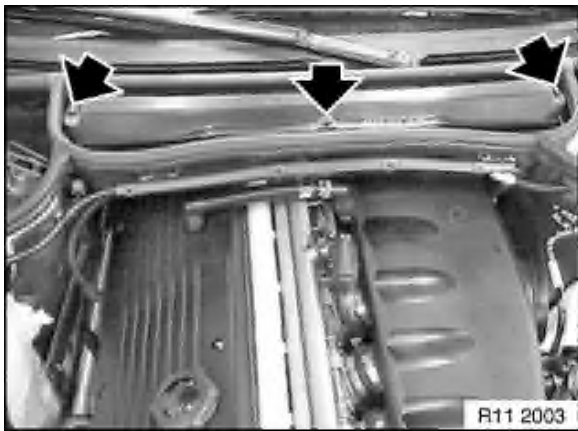
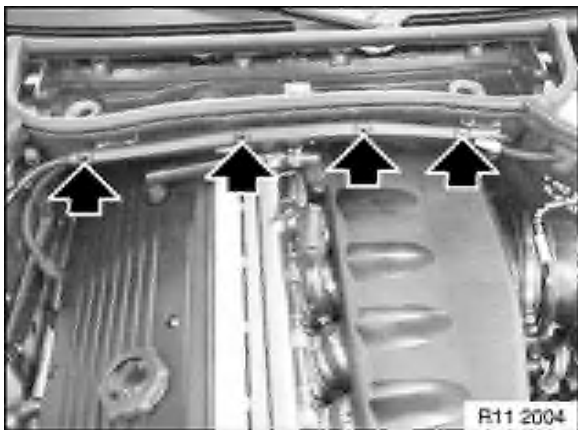


Instructions for disconnecting and connecting battery.
Disconnect negative battery lead.

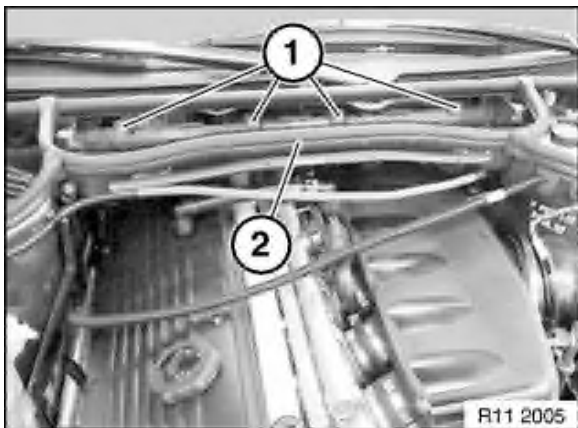
E46 only:
Remove microfilter.

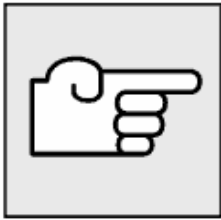


E46 only:
Open cable duct on lower section of microfilter housing and feed out cable(s).

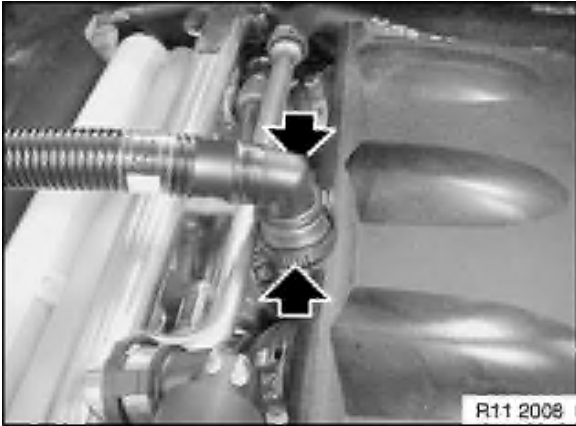


E46 only:
Release screws (1) and remove lower section of microfilter housing (2).

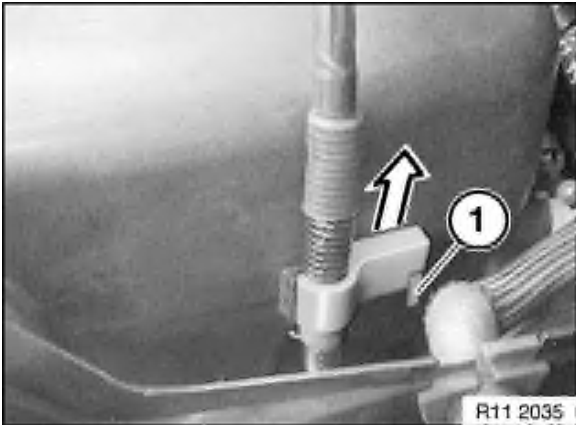




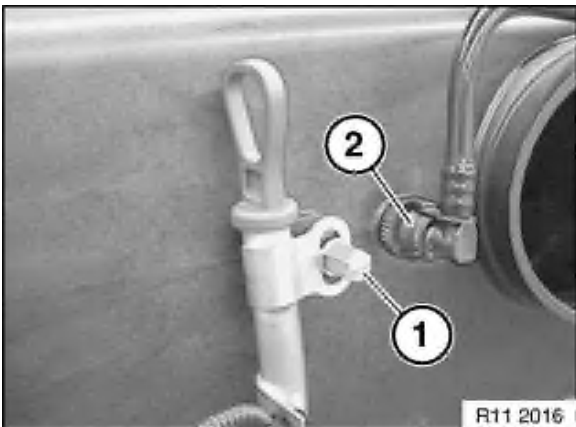
Remove suction-filter housing.



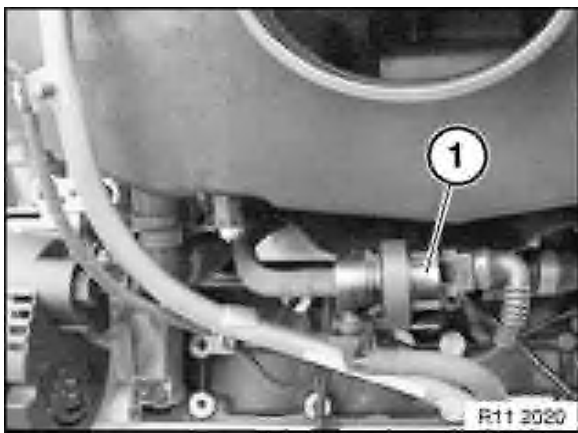
Press locks. Remove hose for engine vent.



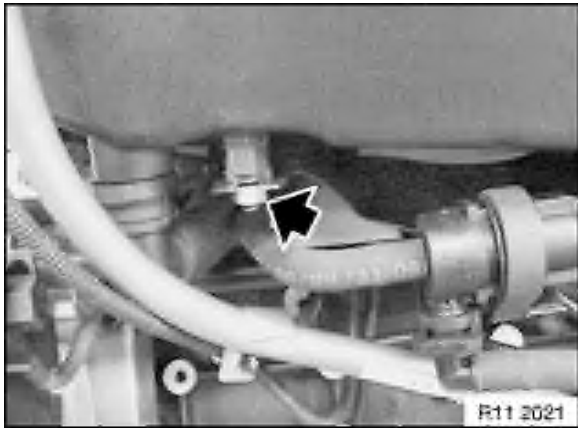
Gently raise lug (1) and slide holder upwards. Feed out battery positive lead.



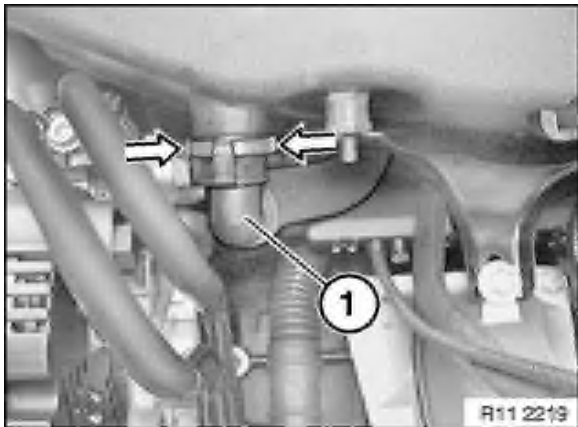
Detach guide tube (1) for oil dipstick from intake air manifold.
Press locks. Pull off vacuum hose (2).



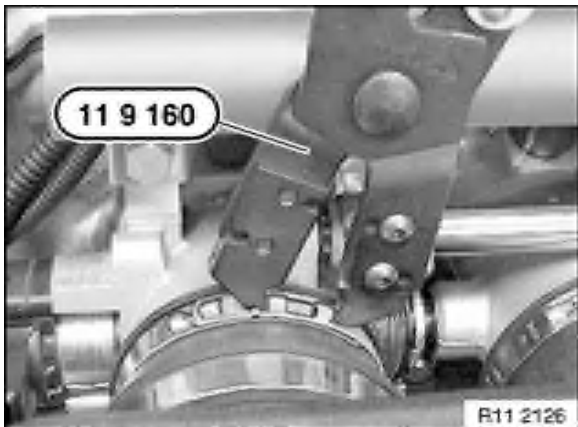
Detach tank venting valve (1) from holder on manifold.



Detach manifold support at front and rear from intake air manifold.

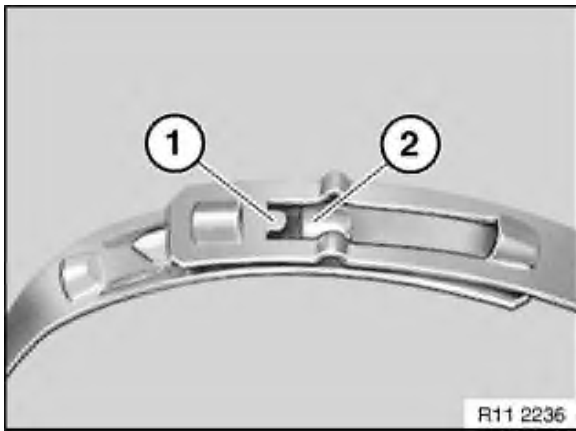


Press lock. Detach hose (1) from intake air manifold.



Place special tool 11 9 160 as shown in illustration on lugs of clamp.

Press clamp together until lock is opened.

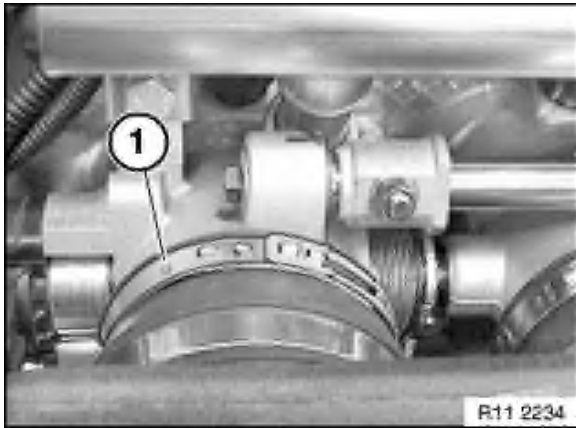


Installation:

Replace clamps.

Preassemble clamps in installation position.

Lock (1) must be secured in lug (2).



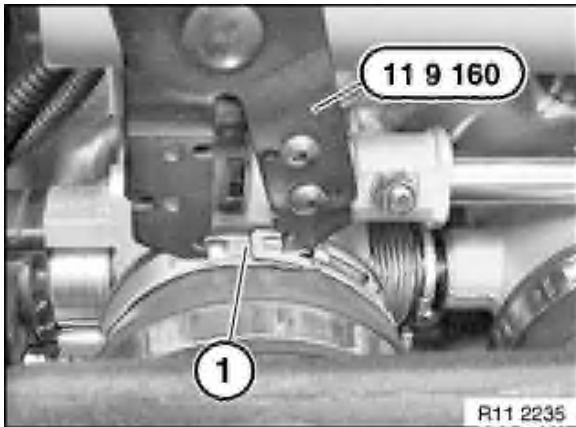
Caution!

Use only genuine clamps.

If hose clamps are used, there is the risk that the throttle linkage will jam and no longer return to the idling position.

Installation:

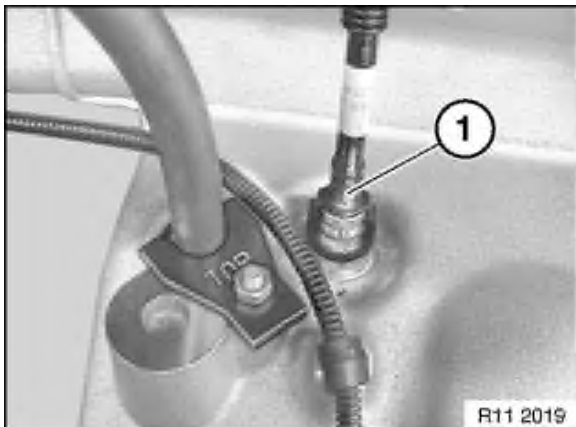
Push intake air manifold with clamps (1) preassembled in installation position onto throttle assemblies.



Installation:

Place special tool 11 9 160 as shown in illustration on lugs of clamp.

Press clamps together with special tool 11 9 160 until lock (1) snaps into place.



Press locks and detach condensate return (1).

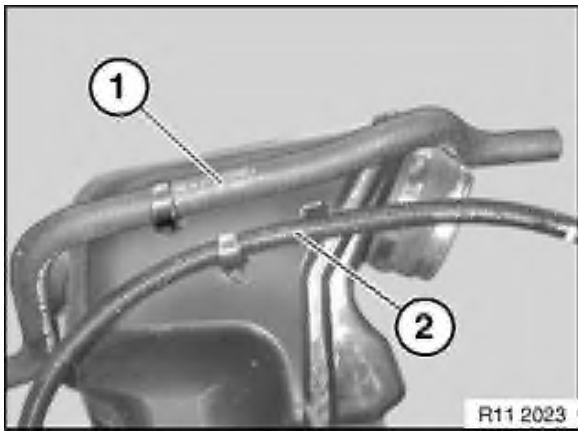


Illustration with engine removed.

Caution!

A vacuum line (1) and a wiring harness (2) are clipped onto the reverse side of the intake air manifold.

Raise intake air manifold slightly and detach from throttle assemblies. Feed out vacuum line (1) and wiring harness (2).

Remove intake air manifold.