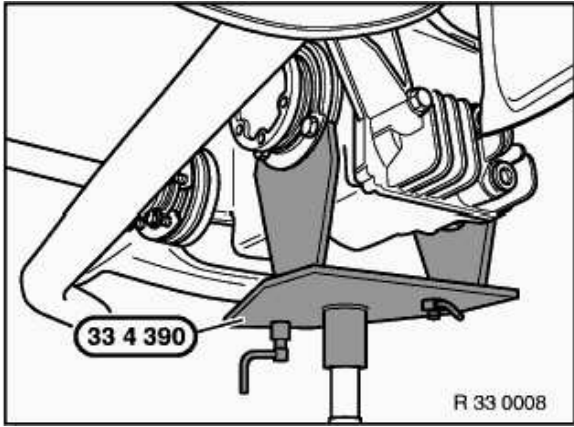


Note:

Remove final muffler.

Pull off speedometer signal plug.

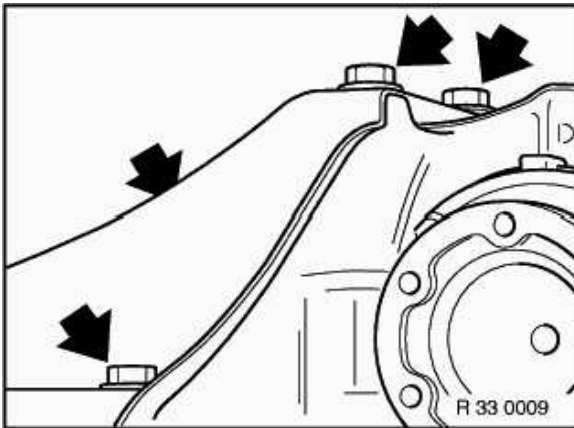
Support final drive from underneath with a transmission lifter and special tool 33 4 390.



Unfasten screws.

Installation:

Tightening torque,
refer to Technical Data 33 17 1AZ.



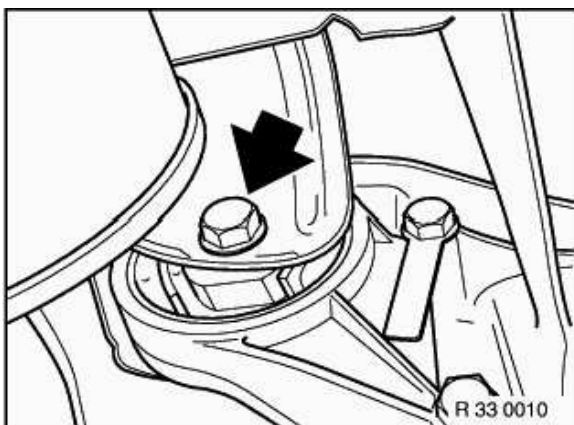
Unscrew screw.

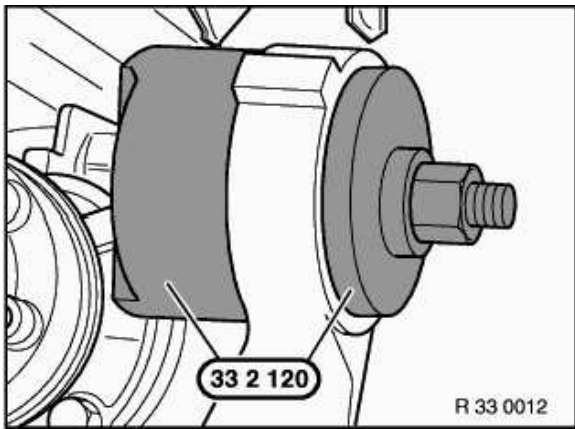
Only lower final drive until special tool can be fitted otherwise the propeller shaft may be damaged.

Installation:

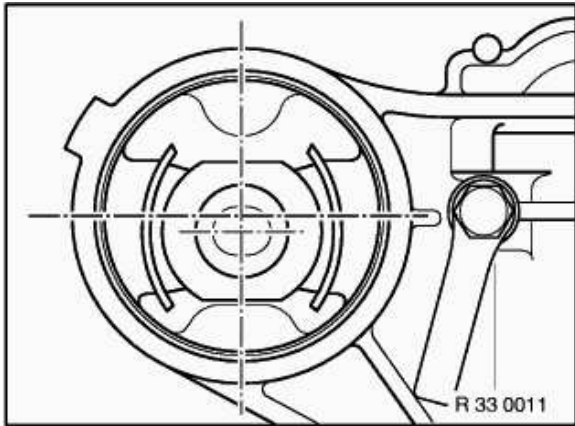
Replace self-locking nut.

Tightening torque,
refer to Technical Data 33 17 4AZ.

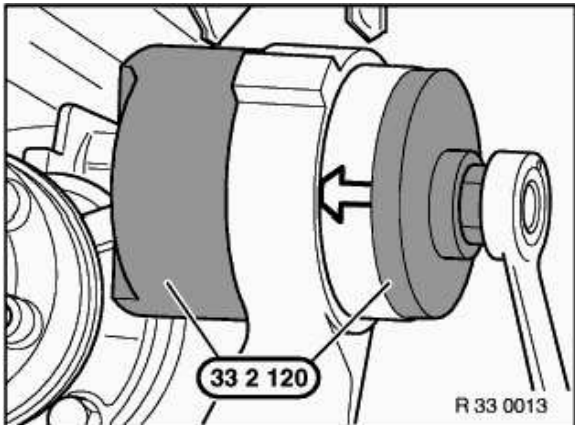




Pull out rubber mount using special tool 33 2 120.



Note:
Note installation position.



Pull in rubber mount using special tool 33 2 120.