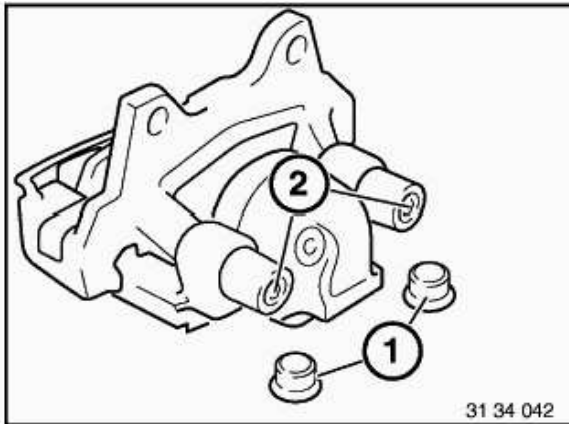


**Note:**

Use repair kit, refer to BMW Parts Service.



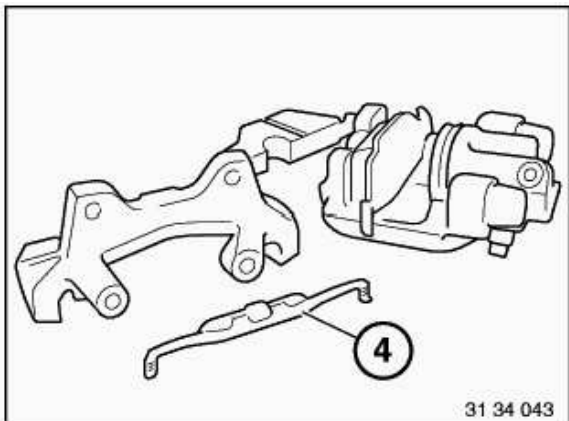
Take off plastic caps (1).

Unscrew guide bolts (2).

**Installation:**

Only clean guide screws; do not grease. Check guide screws and replace if necessary.

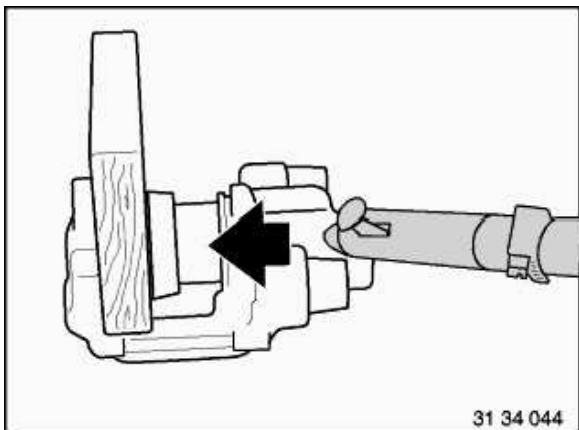
Tightening torque, refer to Technical Data 34 11 3AZ



Dismantle brake caliper and remove brake linings.

**Installation:**

Before installing springs (4), press out brake lining completely.

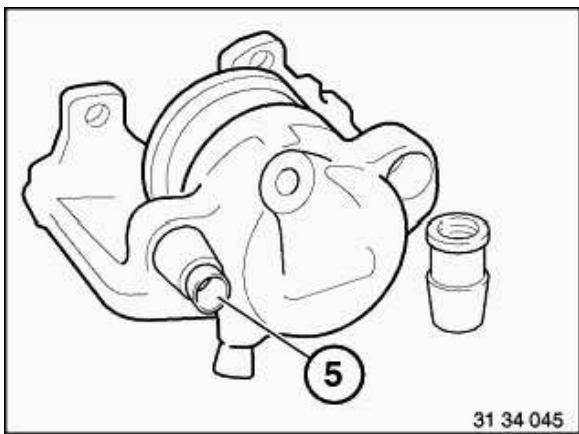


Press out piston with compressed air applied through connection bore.

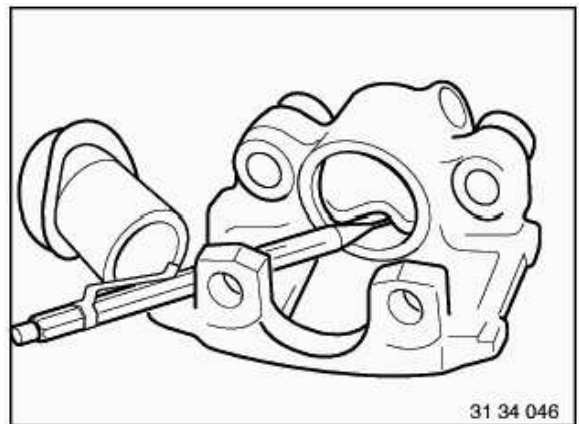
Place a liner (hardwood, hard felt, etc.) in caliper recess to protect piston.

**Caution!**

10 bar of compressed air result in a force of up to approx. 2.800 N.



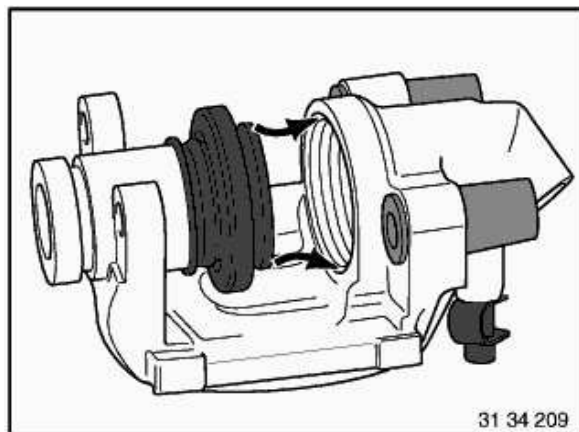
Check guide sleeves (5), fitting repair-kit guide sleeve if necessary.



Remove sealing ring carefully with a plastic needle.

Clean cylinder bores and parts with alcohol and dry with compressed air.

Thoroughly inspect cylinder bore, piston and flange surfaces. Machining of cylinders and pistons is not permitted.



**Installation:**

Apply light coat of ATE brake-cylinder paste (refer to specifications on BMW Operating Fluids) to cylinder bore, piston, dust cover and sealing cover.

Install sealing cover in rear annular groove of cylinder bore.

First fit dust cover to piston, insert sealing bulge in front groove of cylinder bore and press in piston using a hardwood board.

**Caution!**

Do not tilt piston.