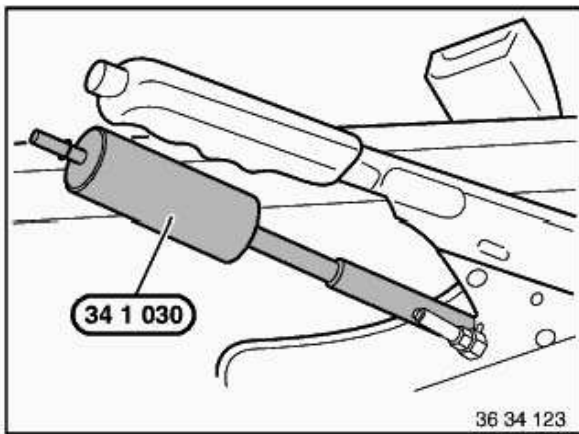
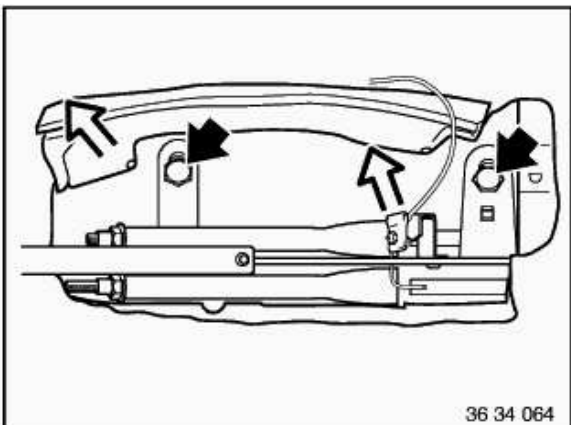


Lift out dust cover.  
Remove tunnel tray,  
refer to Gr. 51



Loosen lock nut using special tool 34 1 030 and unscrew  
together with adjusting nut.



Unscrew bolts.  
Remove handbrake lever.

**Note:**

Be careful not to damage warning switch during removal  
and installation.

Adjust switch,  
refer to Gr. 61

Adjust handbrake,  
refer to 34 10 014