

Caution!

Cars with side airbags

Note safety regulations for handling airbag modules and pyrotechnical seatbelt tensioners, refer to MG 72

Caution!

Aluminium front doors are fitted in some cases on M3 vehicles.

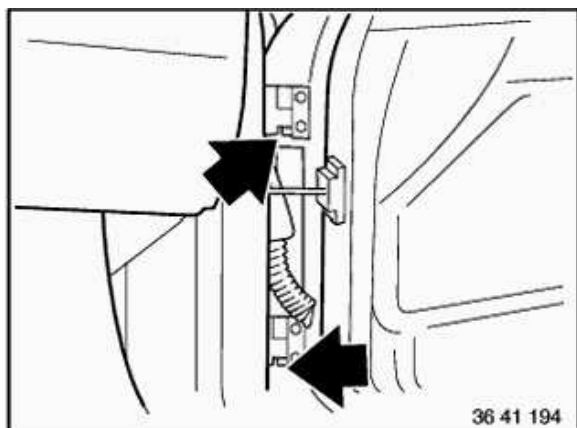
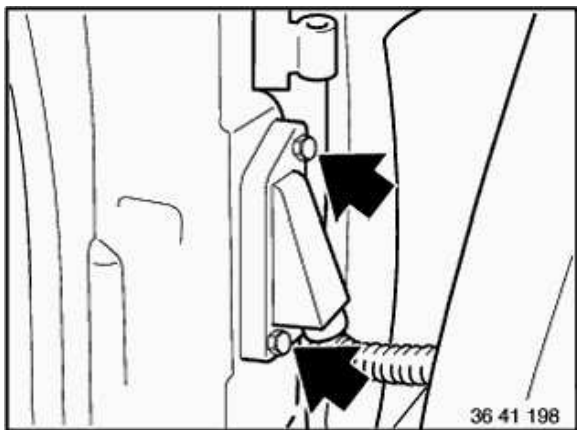
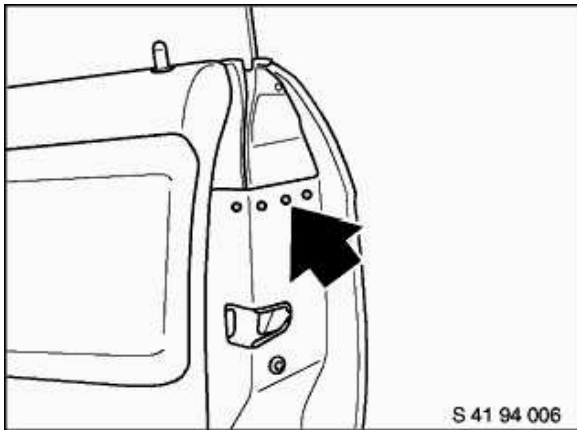
Identifying marks on aluminium doors:

Clinch points on door interior panel

With aluminium parts, refer to:

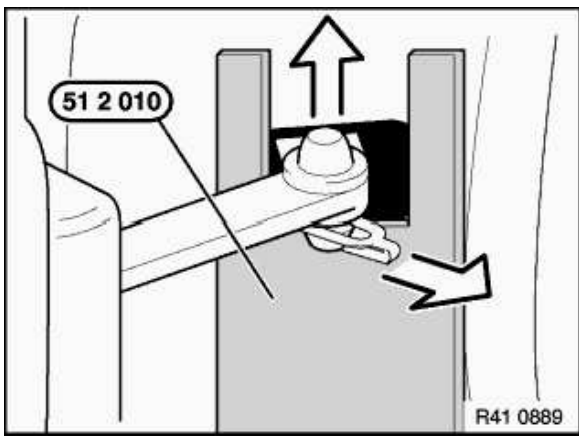
41 00 ... Basic points on handling aluminium parts

41 00 ... Notes on repairs on aluminium parts

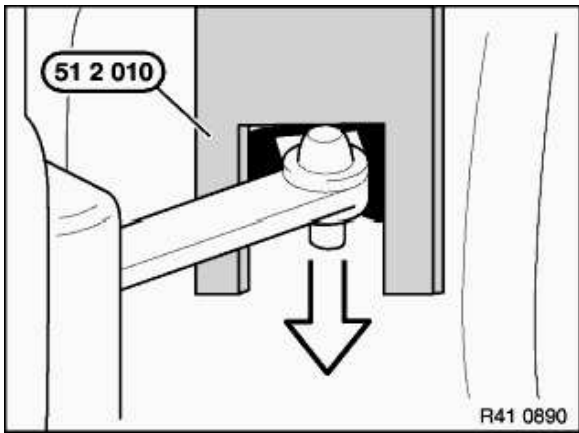


Unscrew holding frame.

Unscrew upper and lower hex head screws.

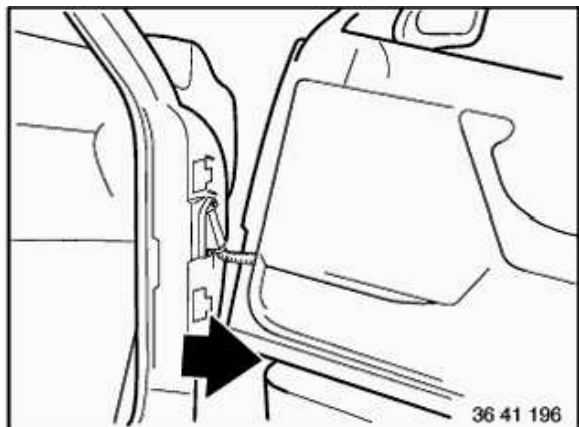


Take off cap.
 Remove retainer if necessary.
 Position special tool 51 2 010.
 Drive out pin upwards.



Installation:

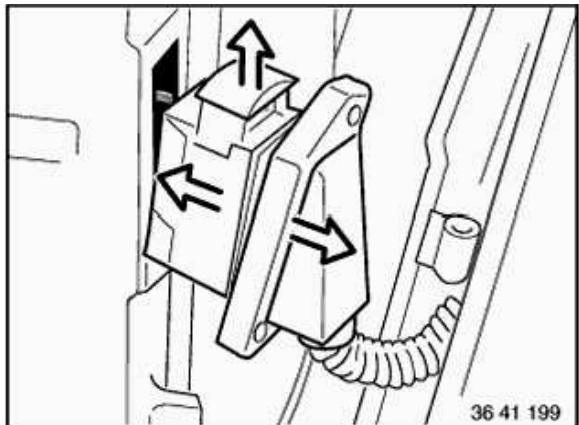
Before installation
 Position special tool 51 2 010.
 Drive in pin and install retainer if necessary.



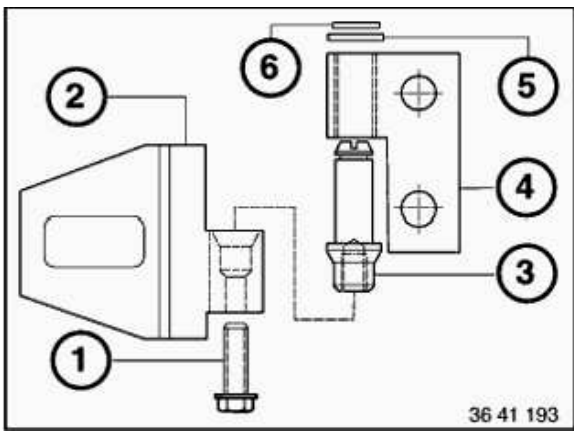
Unhinge door by moving upwards and placing it on a suitable surface.

Caution!

Be careful not to damage the door, front wall and paint finish, cover with drawing tape if necessary.



Pull plug out of A-column.
 Unlock plug by pulling up clamp.
 Disconnect connector.



Hinge Assembly:

- (1) Hex head screw
- (2) Upper hinge section (body)
- (3) Hinge pins
- (4) Upper door side hinge with bearing sleeve
- (5) Washer
- (6) Lock washer

Installation:

Align front doors,
refer to 41 51 ...