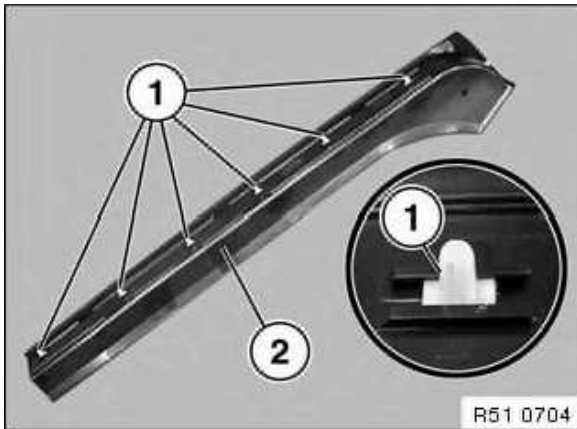


Unfasten clip (1).

Carefully pull finisher strip, first upwards then forwards to unclip.

If necessary, lift clips off entrance.

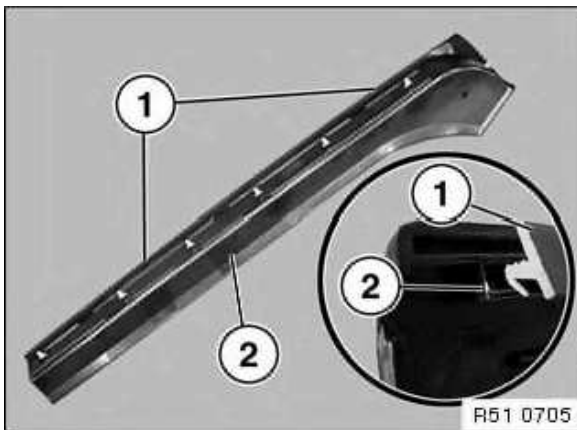


Installation:

Soak clips in water for a short time.

Install clips and align.

If necessary, replace damaged clips.



Only replace:

Remove seal (1) from finisher strip (2).