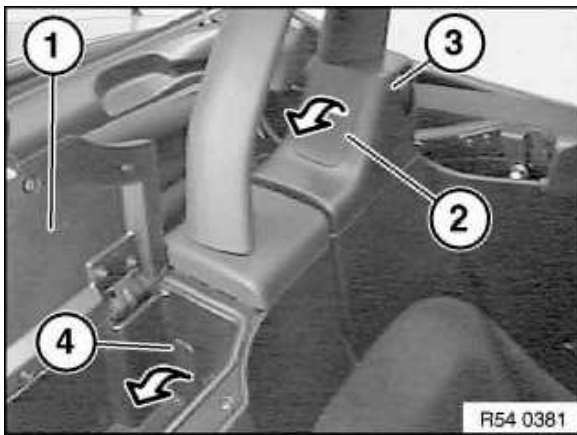


Convertible top open and hardtop not fitted.

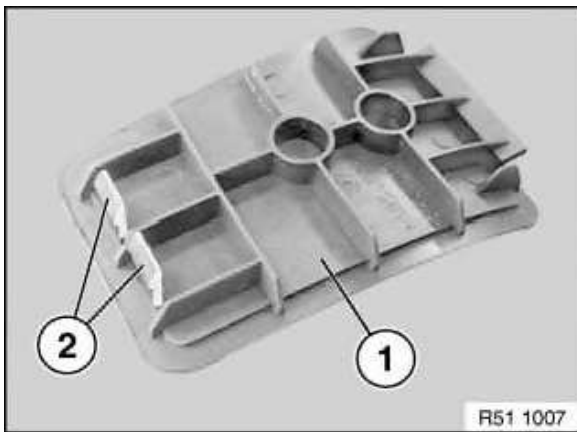


Version without "Harman-Kardon" Hifi system:

Unlock cover (1) and open.

Unclip cover (2) with long screwdriver through opening (3) for seat belt.

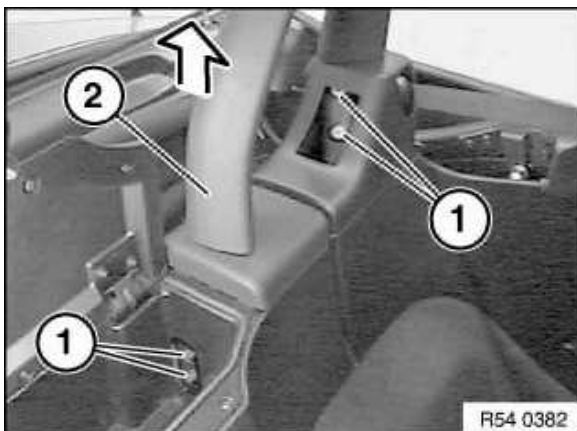
Unclip cover (4).



Version without "Harman-Kardon" Hifi system:

Installation:

The retaining lugs (2) of the cover (1) may not be damaged.



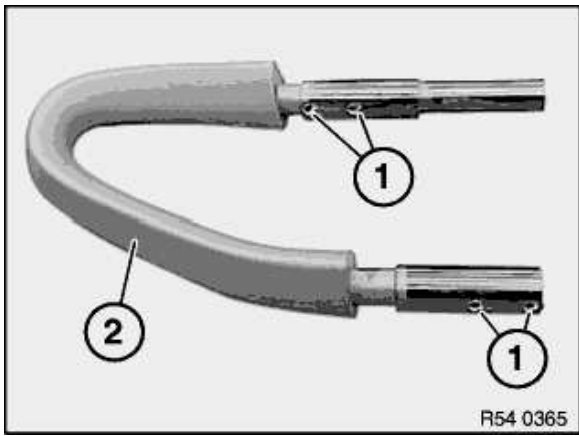
Version without "Harman-Kardon" Hifi system:

Loosen screws (1) by 10 mm and pull out roll bar (2) upward.

Installation:

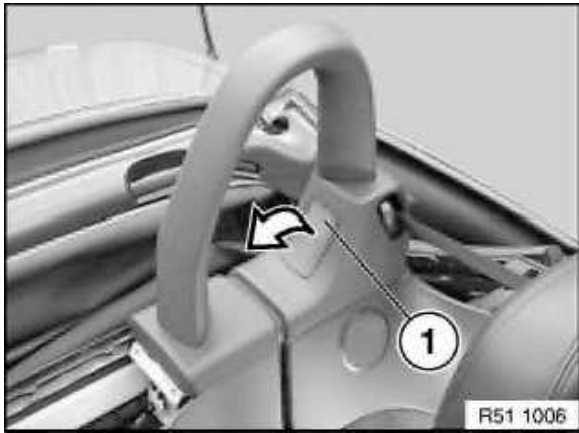
While tightening the screws (1) the roll bar (2) must be pressed down, as otherwise the mounting holes will be damaged.

Tightening torque, refer to Technical Data 54 61 1AZ



Installation:

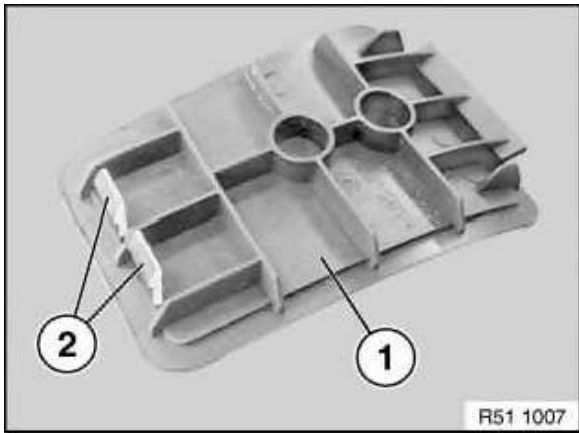
The holes (1) of the roll bar (2) may not be damaged.



Version with "Harman-Kardon" Hifi system:

Removing and installing loudspeaker box, refer to 65 13 300

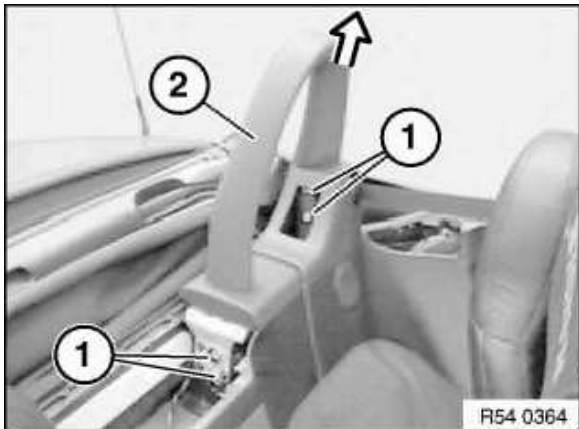
Unclip cover (1) with long screwdriver through opening for seat belt.



Version with "Harman-Kardon" Hifi system:

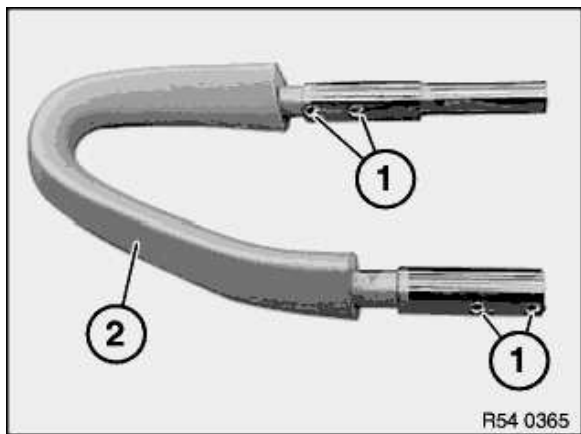
Installation:

The retaining lugs (2) of the cover (1) may not be damaged.



Version with "Harman-Kardon" Hifi system:

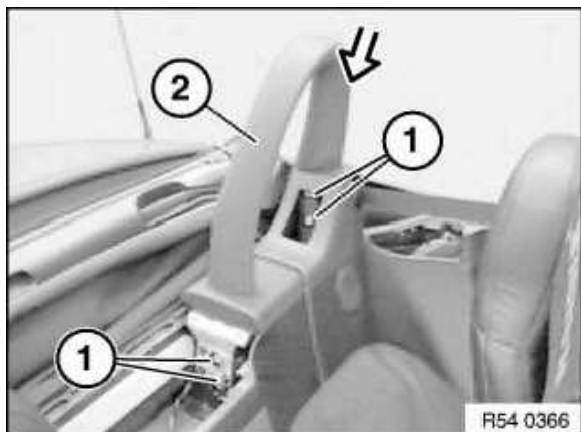
Loosen screws (1) by 10 mm and pull out roll bar (2) upward.



Version with "Harman-Kardon" Hifi system:

Installation:

The holes (1) of the roll bar (2) may not be damaged.



Version with "Harman-Kardon" Hifi system:

Installation:

While tightening the screws (1), the roll bar (2) must be pressed down, as otherwise the mounting holes will be damaged.

Tightening torque, refer to Technical Data 54 61 1AZ