

Repair ranges I, II, III for vehicle electrical system

I Order No.: 81 24 9 408 080

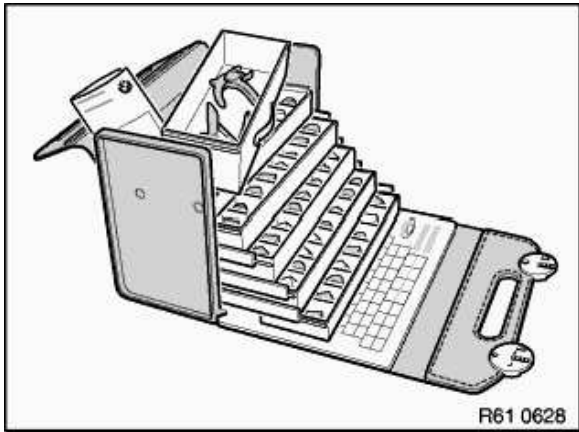
II Order No.: 81 24 9 408 300

III Order No.: 81 24 9 408 400

Sourcing reference: BMW Parts Service.

*Note:*

Operating instructions for the special tools contained in these repair ranges, refer to "Tool for wiring harness repair, repair range I, II, III", special tool 61 8 084.



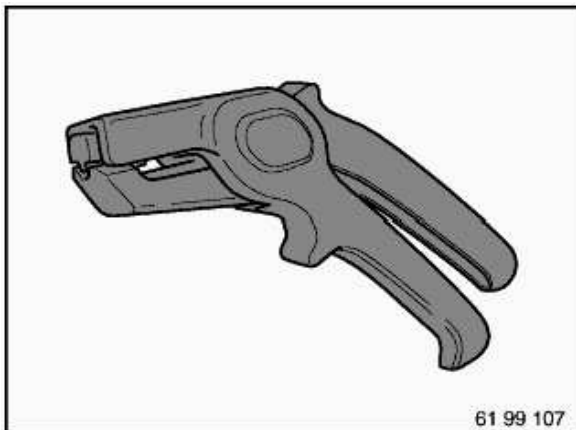
Repair range IV for vehicle electrical system, special tool 61 9 020:

Contents:

- Special tool 61 9 041 (hand pliers)
- Special tool 61 9 042 (matrix)
- Special tool 61 9 043 (wire stripper)
- Special tool 61 9 044 (matrix)

*Note:*

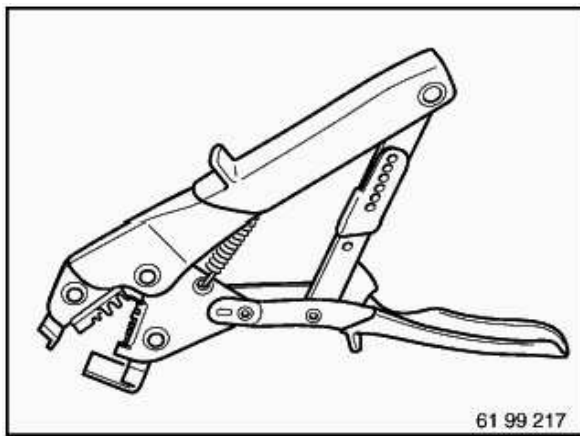
Operating instructions for the special tools contained in the this repair range, refer to "repair range IV for vehicle electrical system (Vol. 1 / Vol. 2 / Vol. 3 / Vol. 4)", special tool 61 9 029.



Special tool 61 9 043 (wire stripper with wire cutter) for cutting and stripping wires.

Handling:

Cutting to length and stripping insulating from cables

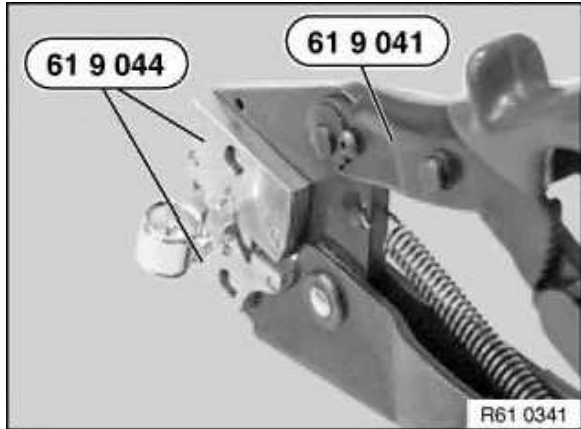


Special tool 61 9 041 (hand pliers) with special tool 61 9 042 (matrix) for crimping connectors and contact tubes for fan connectors up to a wire cross-section of 2.5 mm<sup>2</sup> and for pushing on contact tubes for fan connectors.

Handling:

Crimping stop parts (contacts).

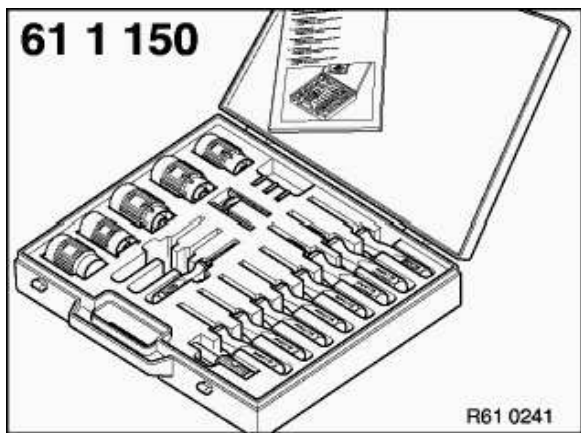
Fan connector for retrofitting/repairs.



Special tool 61 9 041 (hand pliers) with special tool 61 9 044 (matrix) for crimping cable guide and strain relief device on antenna elbow plug.

Handling:

Antenna elbow plug on radio receiver.



Special tool 61 1 150 (release and pressing-out tool) for:

- releasing round plug housings
- releasing relay carriers
- pressing out contacts
- removing indicator lights

Handling:

Opening plug housings and removing contacts of different plug systems



Repair kit for ignition cables and for crimping fan connector receptacles 4 mm<sup>2</sup>

Handling:

Crimping stop parts (contacts).

Service Information 1 03 89 (037)