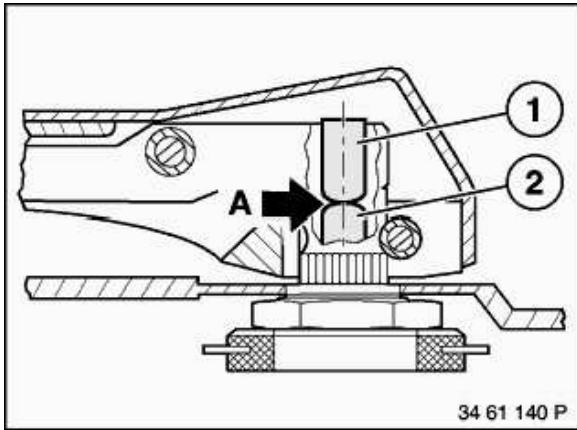
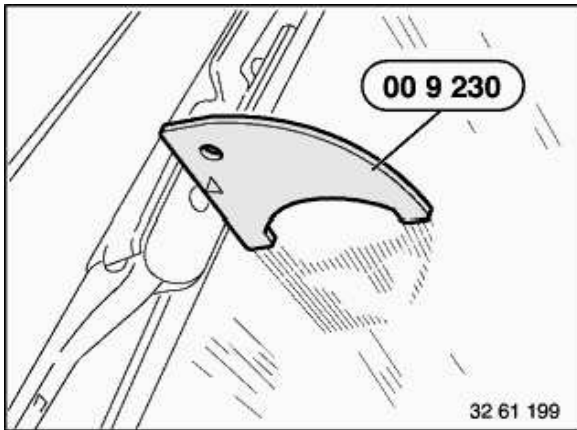


The contact angle of the wiper arm on the windshield primarily determines the wiping quality during intermittent operation and the wiping quality at low vehicle speeds.

On vehicles with contact pressure control, the clearance between the adjusting screw (1) and the tappet (2) must be $A = 0-0.2 \text{ mm}$ with the ignition off and the wiper blade fitted.



Fit special tool 00 9 230 beside fulcrum of wiper blade on windscreen.



If the contact angle is incorrect, the wiper arm must be turned into correct position using two special tools 00 9 220.

Procedure:

Select largest possible distance "A" between special tool (1) and special tool (2).

Hold special tool (1) firmly to ensure that no load is applied to joint (3) when bending.

Twist special tool (2).

Check function.

